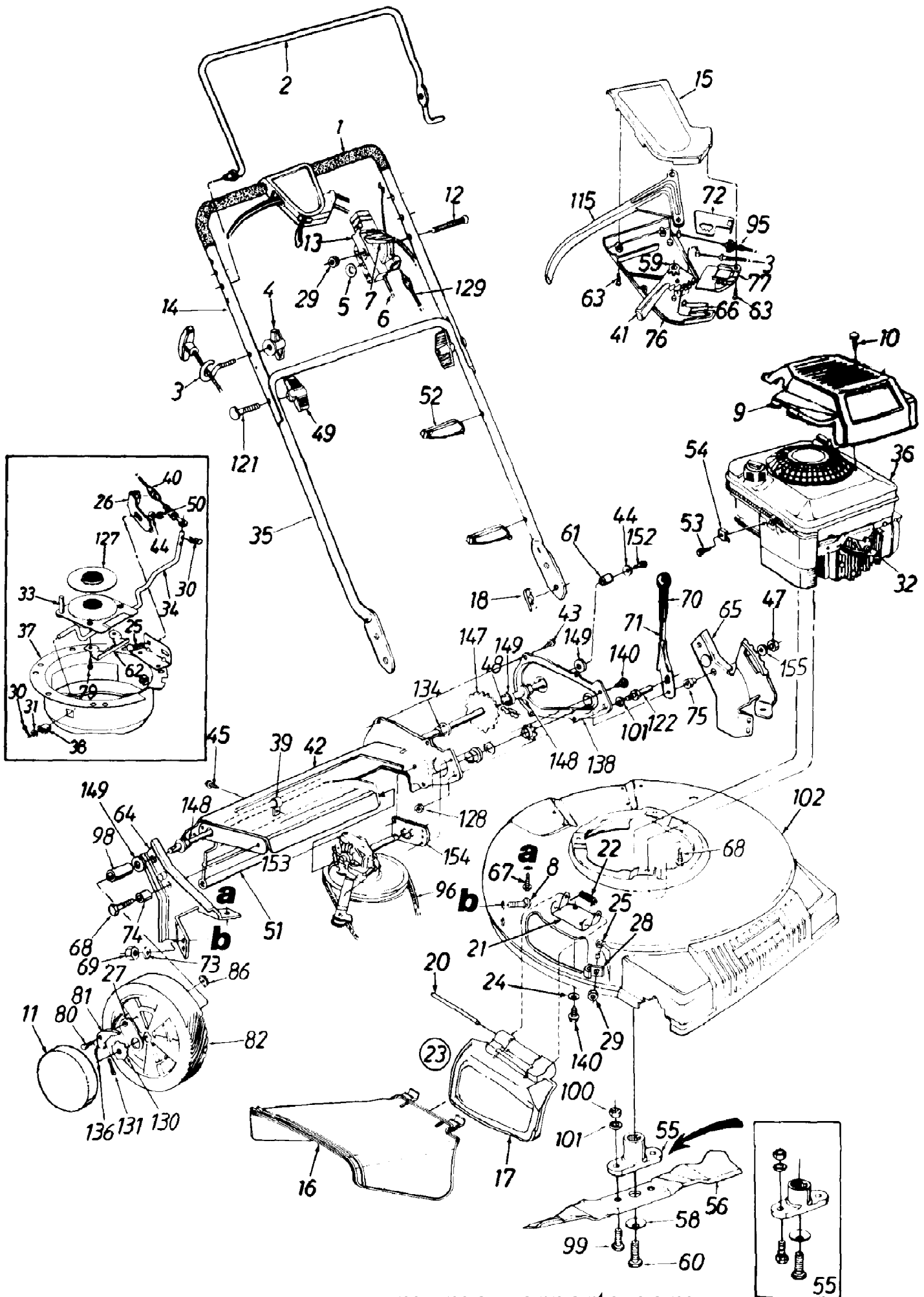


123-148C190 21" ERS Mulching 3 in 1 Mower (1993)
21" ERS Mulching 3-in-1 Mower



123-148C190 21" ERS Mulching 3 in 1 Mower (1993)
21" ERS Mulching 3-in-1 Mower

Page 2 of 7

Ref #	Part Number	Qty	S/P/F	Description
1	720-0226	2 Req'd.	S	Grip
2	647-0004	1		Control Handle
3	710-1205	1	/P	Rope Guide
4	712-0397	1	S	Wing Nut 1/4-20 Thd.
5	736-0501	1	S	Curved Spring Wash. .66" I.D.
6	746-0843	1	S	Throttle Wire - 55" Lg.
7	746-0876	1	S	Throttle Lever
8	710-0260	1	S	Carriage Bolt 5/16-18 x .62" Lg.
9	751B281302	1		Engine Shroud
10	710-1256	1	/P	Hi-Lo Screw #10 x 1.25" Lg.
11	731-0981A	1	S	Hub Cap
12	710-0605	1	/P	Oval C-Sunk Mach. Scr.
13	746-0875	1	S	Throttle Body
14	749-0539B	1	S	Upper Handle
15	731-0904	1	S	Upper Control Housing
16	731-1407	1	S	Side Chute Deflector
17	731-1404	1	S	Mulch Plug
18	714-0104	1	S	Internal Cotter Pin 5/16" Dia.
20	747-0710	1	S	Hinge Pin
21	782-7006	1		Plug Adapter
22	732-0593	1	S	Torsion Spring
23	682-7000	1	/P	Mulch Plug Ass'y. Comp. (Incl. Ref. 17, 20, 21, 22)
24	736-0270	1	/P	Bell-Wash. .265" I.D. x .75" O.D.
25	710-0167	1	/P	Carriage Bolt 1/4-20 x .5" Lg.
26	17070	1	S	Adjustable Cable Bracket
27	16855	1		Pawl Plate
28	782-7009	1		Chute Stop Bracket
29	712-0324	1	/P	Hex L-Nut 1/4-20 Thd.
30	714-0507	1	S	Cotter Pin 3/32" Dia. x .75"
31	736-0278	1		FI-Wash. .328" I.D. x .68"
32	735-0639	1	/P	Spark Plug Insulator
33	682-7511	1		Lower Pulley Half Ass'y.
34	747-0882	1	S	Shift Rod
35	749-0928	1	S	Lower Handle
36		1		Engine - 5 H.P.
37	682-7514	1	S	Housing Ass'y.
38	731-1137	1	S	Flanged Bushing
39	726-0287	1		Clamp
40	746-0706	1		6 Spd. Cable
41	731-0924	1		6 Spd. Shift Lever
42	682-7513	1	S	Chain - Axle Ass'y.
43	710-0352	1	/P	Hex B-Tap Scr. 1/4" x .38"
44	736-0270	1	/P	Bell-Wash. 1/4" I.D.
45	710-0351	1	/P	Truss Mach. B-Tap Scr. #10 x .5"
47	712-0296	1	S	Hex Patch L-Nut 3/8-24 Thd.
48	713-0361	1	S	#48 Chain .500" Pitch x 38 Links
49	720-0241	1	S	Hand Knob
50	712-0291	1	S	Hex L-Nut 1/4-20 Thd.
51	731-1421	1		Rear Flap 3.75" x 17.5" Lg.
52	726-0240	1	S	Cable Tie
53	710-1237	1		Hex Wash. Hd. Scr. #10-32 x .62" Lg.

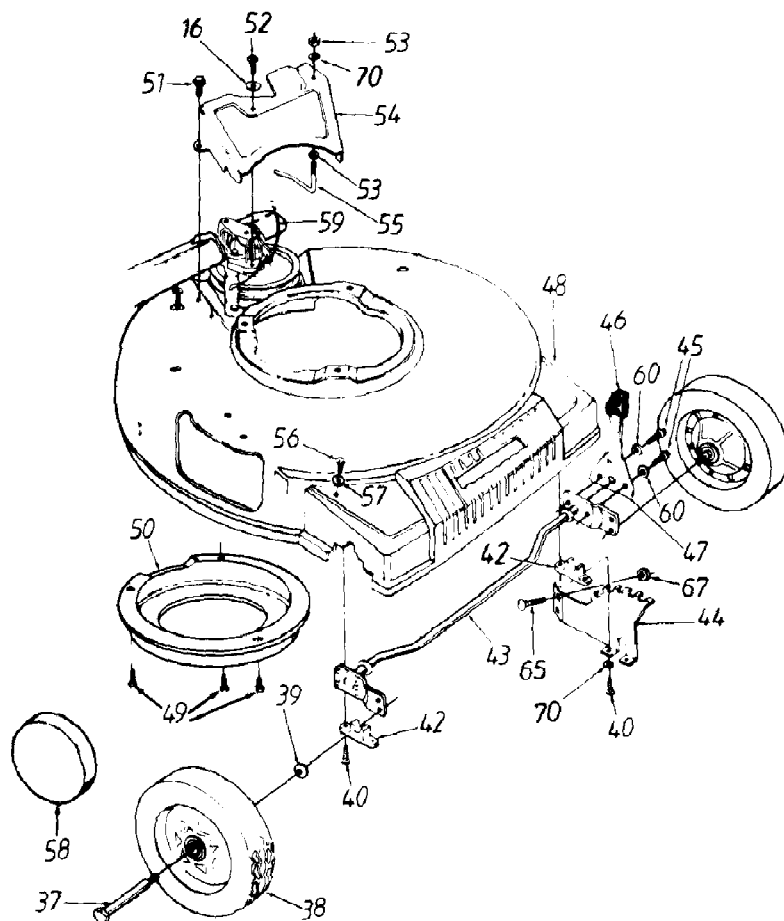
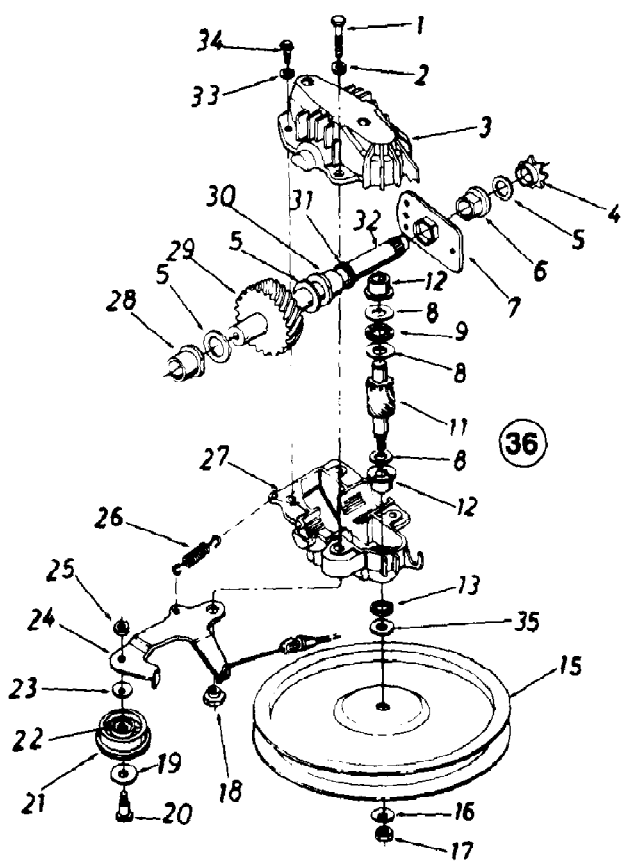
123-148C190 21" ERS Mulching 3 in 1 Mower (1993)
21" ERS Mulching 3-in-1 Mower

Page 3 of 7

Ref #	Part Number	Qty	S/P/F	Description
54	751-0568	1	S	Casing Clamp
55	753-0519	1		Blade Adapter Kit
56	742-0721	1	S	21" Mulching Blade
58	736-0453	1	S	Bell-Wash. .47" I.D. x 1.14" O.D.
59	713-0397	1	S	Gear Insert
60	710-0561	1		Hex Bolt 7/16-20 x 2.5"
61	748-0190	1	/P	Spacer .513" I.D.
62	782-7563	1	S	Bracket - Shift Plate
63	710-0841	1	/P	C-Sunk Tap Scr. #10 x .75" Lg.
64	682-3006A	1		R.H. Handle Wheel Brkt. Ass'y.
65	682-3007A	1	S	L.H. Handle Wheel Brkt. Ass'y.
66	732-0627	1		Shift Lever Spring
67	710-0603	1	/P	Hex B-Tap Scr. 5/16-18
68	710-0654A	1	/P	Hex TT-Tap Scr. 3/8-16
69	712-0267	1	S/F	Hex Nut 5/16-18 Thd.
70	720-0223	1		Grip
71	732-0725	1		Height Adj. Lever
72	16864	1		6 Spd. Rack Cable Brkt.
73	736-0242	1	/P	Bell-Wash. 5/16" I.D.
74	750-0736	1	S	Spacer .383" I.D.
75	750-0624	1		Shld. Spacer .5" Dia.
76	731-0905	1	S	Lower Control Housing
77	731-0906	1	S	Cable Mounting Cap
79	710-0653	1	/P	Hex Wash. Hd. Tap Scr. 1/4-20 x .38" Lg.
80	738-0137	1		Shld. Scr. .342" Dia. x .268
81	748-0188B	1	S	Pawl
82	734-1510B	1	S	Wheel Ass'y. Comp.
	741-0486B	1		Wheel Bearing
86	712-0414	1	S	Weld Top L-Nut 1/4-20 Thd.
95	746-0710A	1	S	S.P. Cable
96	754-0343	1	S	"V"-Belt
98	711-0313	1	S	Sleeve .526" I.D.
99	710-1055	1	/P	Hex Bolt 3/8-24 x 1.0" Lg.
100	712-0241	1	/P	Hex Nut 3/8-24 Thd.
101	736-0169	1	S	L-Wash. 3/8" I.D.
102	782-0023	1		21" Deck Ass'y.
115	731-0620	1	S	Control Lever
121	710-1174	1	/P	Curved Hd. Bolt 5/16-18 x 2" Lg.
122	711-0805	1		Shld. Pin 1.43" Lg.
127	756-0503	1		Pulley Half - Serrated
128	712-0711	1	/P/F	Hex Jam Nut 3/8-24 Thd.
129	746-0550	1	S	Control Cable - 39"
130	748-0318	1	S	Ratchet Wheel 1.62" O.D.
131	714-0115	1	S/F	Cotter Pin 1/8" Dia. x 1"
134	741-0522	1	S	Hex Flange Bearing
136	10622B	1	S	Spring - Nylon
138	682-7506	1		Chain Cover Ass'y.
140	710-0599	1	/P	Hex TT-Tap Scr. 1/4-20 x .50"
147	738-0864	1	S	Rear Shaft Ass'y. 21.44" Lg.
148	741-0324	1	S	Hex Flange Brg. .506" I.D.
149	736-0160	1	S	FI-Wash. .531" I.D. x .930"
152	710-0751	1	/P	Hex Bolt 1/4-20 x .62" Lg. (Grade 5)
153	717-0417B			Comp. (See Breakdown)

123-148C190 21" ERS Mulching 3 in 1 Mower (1993)
21" ERS Mulching 3-in-1 Mower

Ref #	Part Number	Qty	S/P/F	Description
154	16500A	1	S	Hex Bearing Cup
155	736-0300	1	S	Fl-Wash. .385" I.D. x .87" O.D.



Ref #	Part Number	Qty	S/P/F	Description
1	710-1062	1	F	Hex Patch Bolt 1/4-20 x 1.25"
2	736-0329	1	S/F	L-Wash. 1/4" I.D.
3	717-0418A	1	/P/F	Upper Hsg. Half
4	713-0400	1	F	#48 Sprocket 7 T x 1/2 Pitch
5	736-0336	1	S/F	FI-Wash. 5/8" I.D. x .030
6	741-0413	1	S/F	Hex Flange Brg. .631" I.D.
7	16500A	1	S/F	Hex Bearing Cup
8	736-0314	1	S/F	Thrust Wash. .382" I.D. x .70" O.D.
9	741-0479	1	F	Thrust Bearing .375" I.D. x .812" O.D.
11	717-1216	1	S/F	11 Tooth Pinion Shafts
12	748-0208A	1	/P/F	Flange Bearings
13	721-0212	1	F	Oil Seals
15	756-0330A	1	/P	FI-Pulley 5.06" O.D.
16	736-0270	1	/P	Bell-Wash. .265" I.D. x .75"
17	712-0351	1	S	Hex L-Nut 1/4-28 L.H. Thd.
18	738-0440	1		Shld. Spacer .375" Dia. x .170
19	736-0344	1	S	FI-Wash. .390" I.D. x 1.0"
20	738-0826	1	S	Shld. Bolt .375" Dia. x .40"
21	756-0558	1	S	FI-Idler Plastic 1.50" Dia.
22	741-0556	1	S	Needle Brg. .375" x .31
23		1		UNKNOWN
24	17052A	1	/P	Idler Brk't. Ass'y.
25	712-0138	1	S	Hex Patch L-Nut 1/4-28 Thd.
26	732-0357	1	S	Extension Spring 1.12" Lg.
27	717-0419A	1	S/F	Lower Hsg. Half
28	741-0415	1	S/F	Flange Bearing .566 Dia.
29	717-0422A	1	S/F	33 Tooth Helical Gear
30	741-0414	1	F	Flange Bearing .629 Dia.
31	721-0213	1	/P/F	Oil Seal .625 Dia.
32	738-0607A	1	S/F	Gear Sprocket Shafts
33	736-0722	1	S/F	L-Wash. #10 I.D.
34	710-0436	1	S/F	Hex B-Tap Scr. #10 x .62"
35	736-0410	1	S	Hex Washer .26" x .88"
36	717-0417B	1	S	Transmission Comp.
37	738-0102	1	S	Front Axle Bolt
38	734-1513B	1	S	Wheel Ass'y. Comp.
	741-0484	1	S	Wheel Bearing
	736-0504	1	S	Wave Washer
39	736-0105	1	/P	Bell-Wash. .380" 1.0. x .88
40	710-1241	1		Hex Wash. Hd. Scr. 1/4 x 1" Lg.
42	741-0492A	1	/P	Block Bushing
43	17733	1	S	Axle Ass'y.
44	782-0516	1		Height Adj. Bracket
45	710-0653	1	/P	Hex TT-Tap Scr. 1/4-20 x .38"
46	720-0190	1	S	Knob
47	732-0639	1		Spring Lever
48	731-1281	1	S	Plastic Front End
49	710-0352	1	/P	Hex B-Tap Scr. 1/4" x .38"
50	782-7558	1	S	Belt Cover
51	710-0599	1	/P	Hex Wash. Hd. TT-Scr. 1/4-20
52	710-0896	1	/P	Hex Wash. Hd. B-Tap Scr. 1/4 x .62" (Spec.)
53	712-0287	1	S/F	Hex Nut 1/4-20 Thd.
54	17058A			Belt Cover

123-148C190 21" ERS Mulching 3 in 1 Mower (1993)
Transmission

Page 7 of 7

Ref #	Part Number	Qty	S/P/F	Description
55	747-0549	1		S.P. Belt Guard
56	710-1242	1	/P	Torx Truss Hd. Scr. 5/16 x .75"
57	736-0242	1	/P	Bell-Wash. .345" I.D. x .88"
58	731-0981A	1	S	Hub Cap
59	746-0710A	1	S	S.P. Cable
60	736-0222	1	S	External L-Wash. 1/4" I.D.
65	710-0167	1	/P	Carr. Bolt 1/4-20 x .5" Lg.
67	712-3027	1	S	Hex Flange L-Nut 1/4-20 Thd.
70	736-0329	1	S/F	L-Wash. 1/4" I.D.